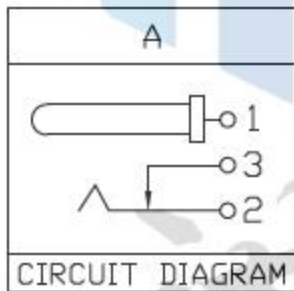
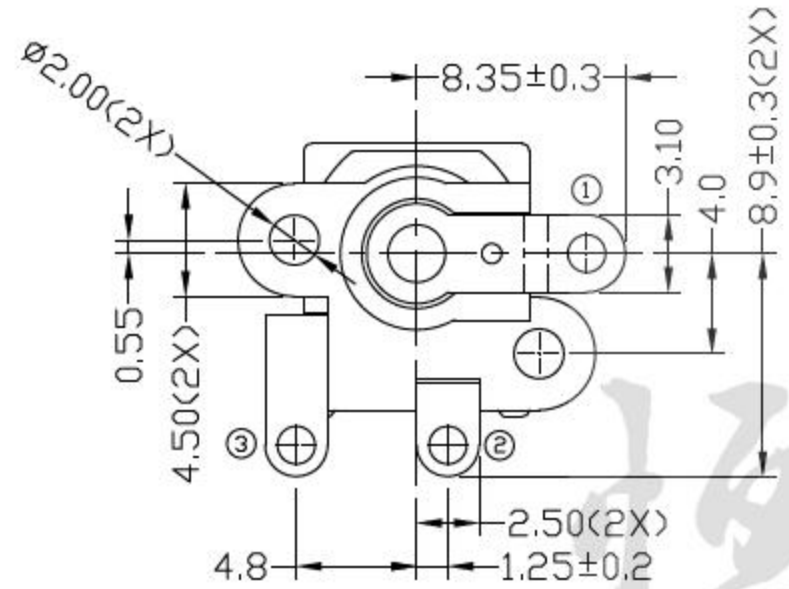
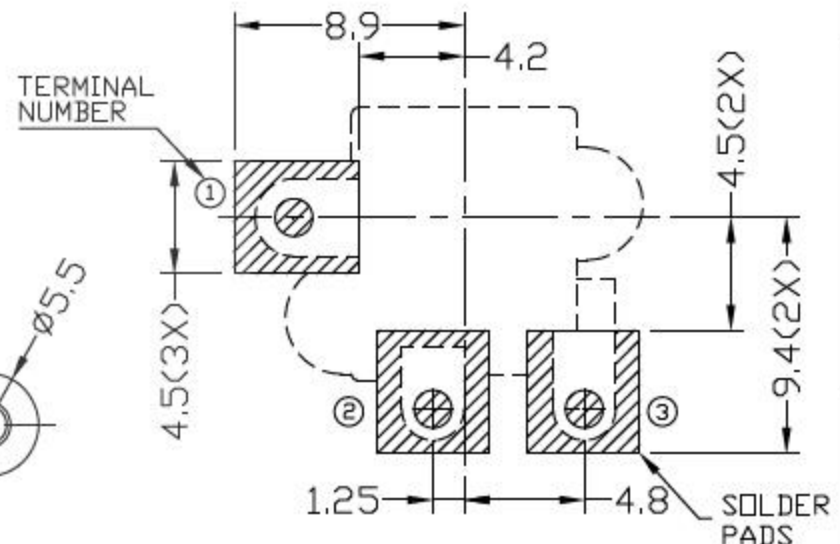
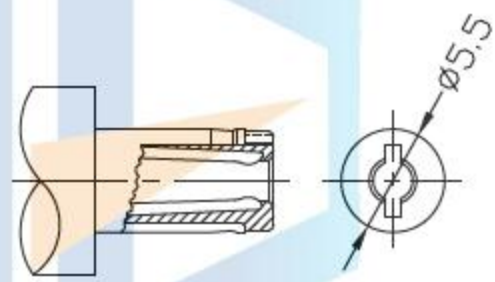
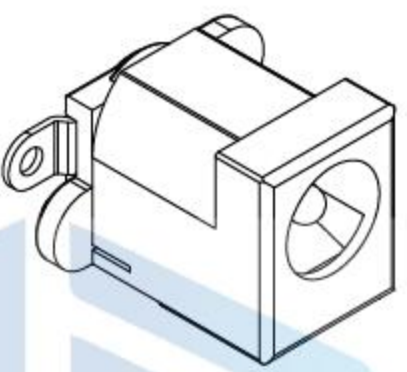
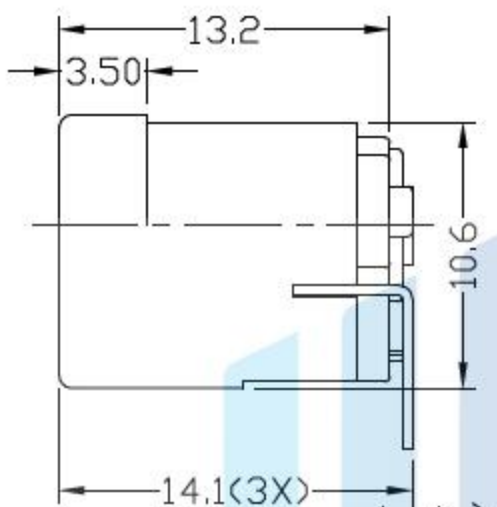
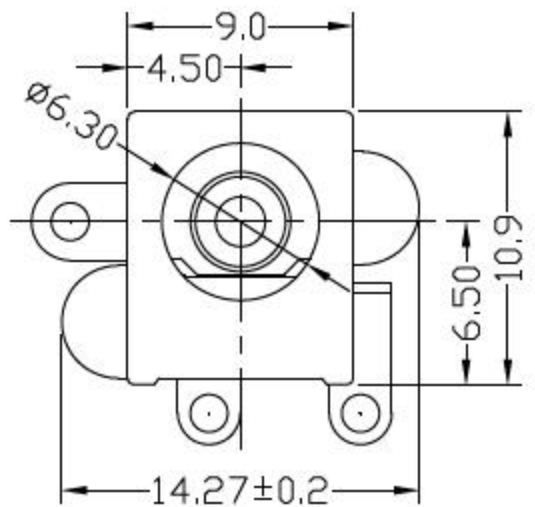


RoHS
COMPLIANT



MODEL NO.	H	J
CENTER PIN	∅2.0mm	∅2.5mm

DC MATE PLUG

RECOMMENDED P.C.B. LAYOUT
TOLERANCE: ±0.05
(TOP VIEW)

- Specification:
1. Rating : 5A/16V DC Max.
 2. Contact resistance: ≤30mΩ
After test: ≤60mΩ
 3. Insulation resistance: ≥100MΩ (DC500V).
After test: ≥50MΩ
 4. Withstanding voltage: 500VAC.
 5. Insertion and extraction force: 0.3~3Kgs.
 6. Life test: 5,000cycles min.
 7. Operation temperature range: -25℃~85℃.

设计:	Arvin: 2016.03.08	范围 Range	公差 Tolerance
审核:	Arvin:	X.X ±	X.X ±0.30
校对:	Ru yi:	X.XX ±	X.XX ±0.20
比例:	视角关系:	X.XXX ±	X.XXX ±0.10
版次:	图框大小: A4	Angle ±	Angle ±5°

东莞市恒祺电子科技有限公司

名称: DC插座 型号: DC-0531

料号:
共 张 , 第 张 备注: