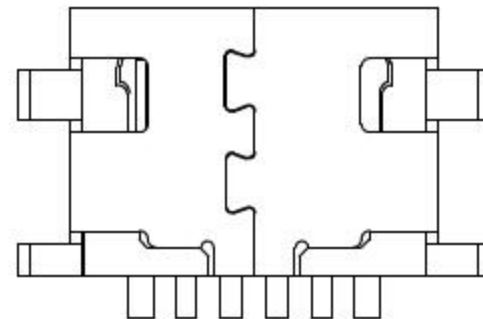
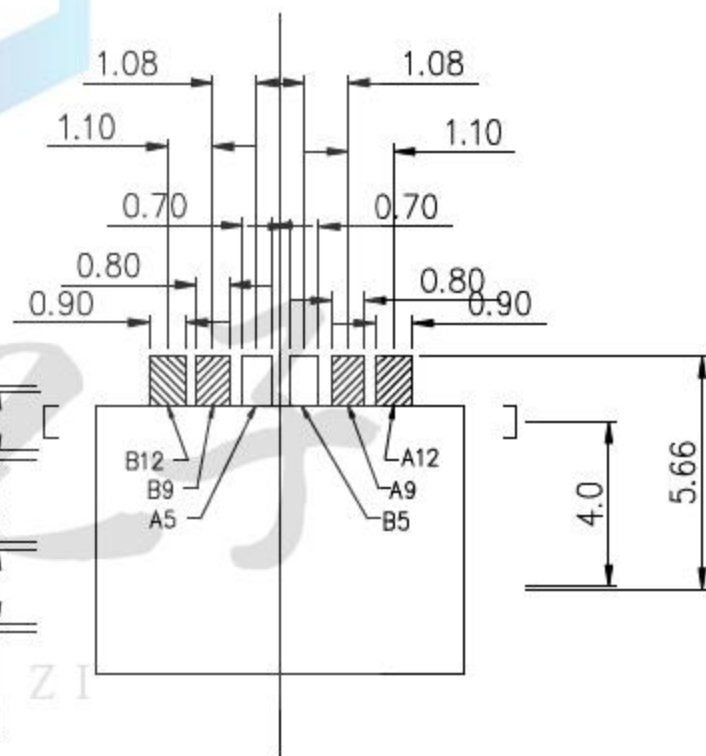
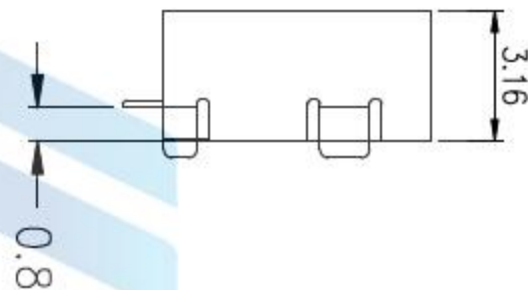
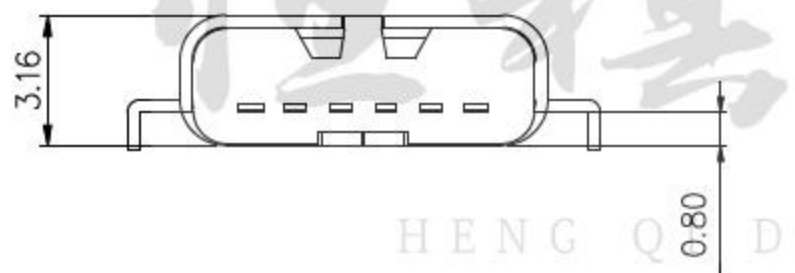
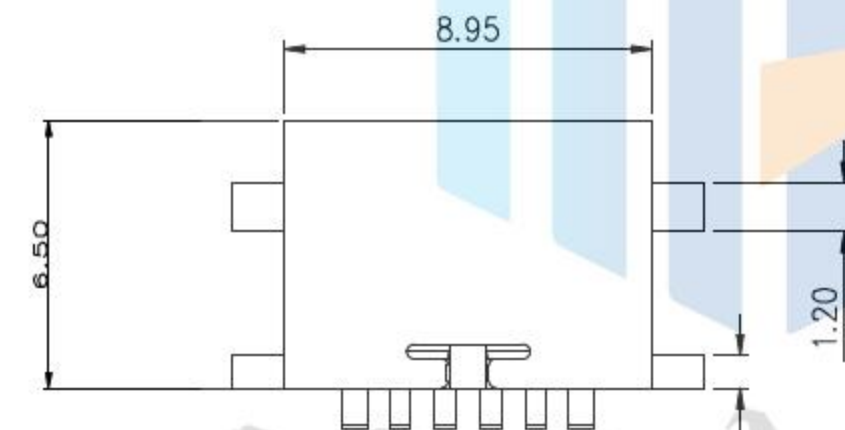
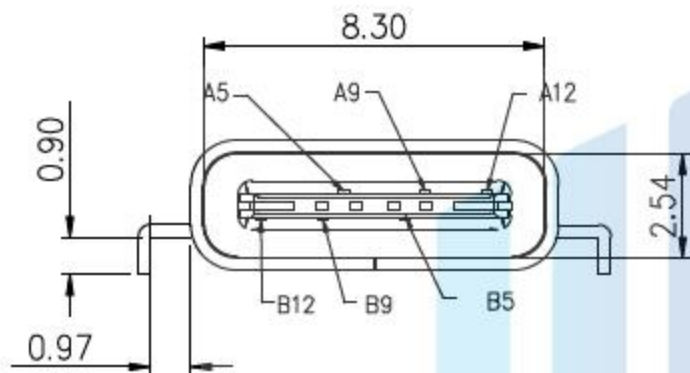


RoHS
COMPLIANT



NOTES:

1.MATERIAL:

MOLDING: LCP UL94 V-0
CONTACT: COPPER ALLOY.
GOLD PLATED Min ON CONTACT AREA,100u"
Min TIN (LEAD FREE) ON SOLDER AREA,
SHELL: SUS201-H,T=0.30±0.03mm
50u" NICKEL PLATING OVER ALL.

2.MECHANICAL:

INSERTION: 5~20N.
EXTRACTION: 8~20N AFTER TEST.
DURABILITY: 5000 CYCLES

3.ELECTRICAL:

CURRENT: 3A FOR VBUS;
1.25A FOR GND PIN.
0.25A FOR OTHER.
VOLTAGE: 20 V MAX
WITHSTANDING VOLTAGE: 100V AC R.M.S.
CONTACT RESISTANCE: 40mΩ MAX.
INSULATION RESISTANCE: 100MΩ MIN.

4.ENVIRONMENTAL

TEMPERATURE RANGE -25°C ~ +85°C

5. 尺寸标注事项:

图示有标示" * "者为首样全检,重点管控尺寸.

6. 产品符合RoHS标准.

设计: Arvin: 2016.03.08

审核: Arvin:

校对: Ru yi:

比例: 视角关系:

版次: 图框大小: A4

范围 Range

X.X ± X.X ±0.30

X.XX ± X.XX ±0.20

X.XXX ± X.XXX ±0.10

Angle ± Angle ±5°

公差 Tolerance

东莞市恒祺电子科技有限公司

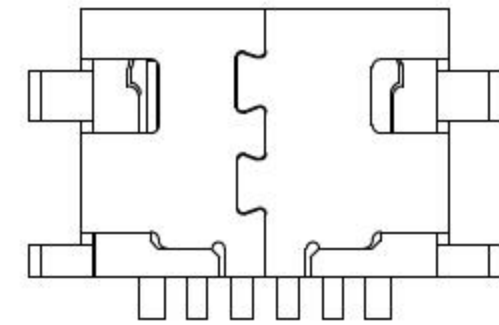
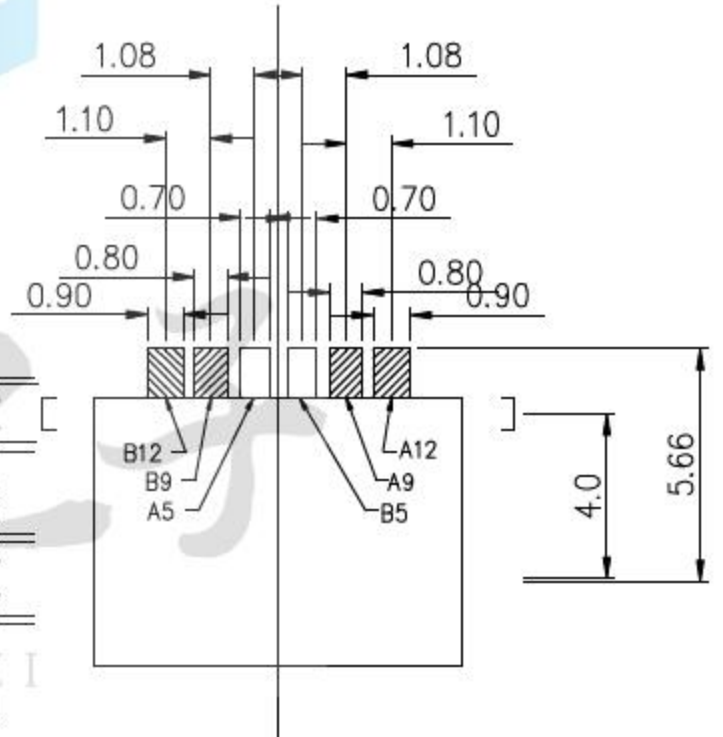
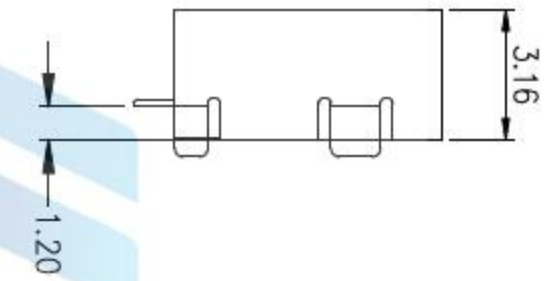
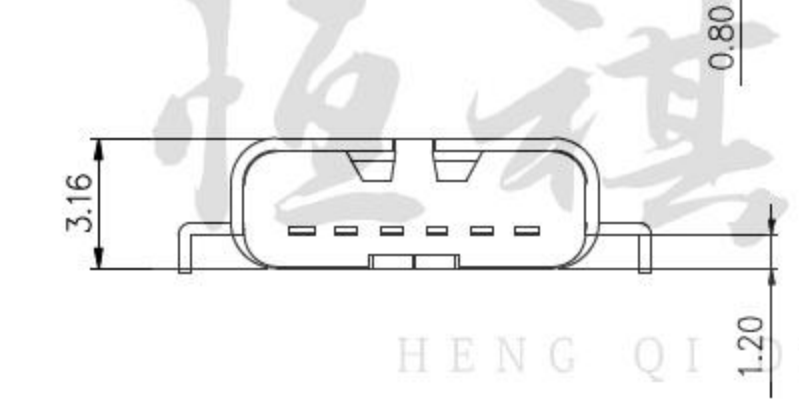
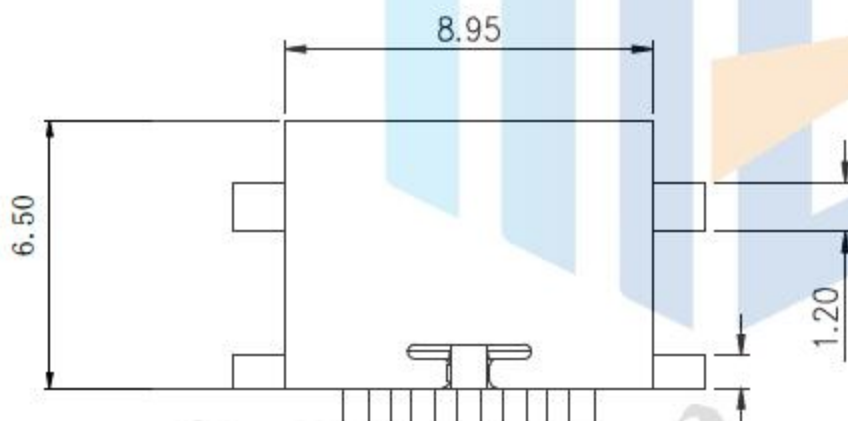
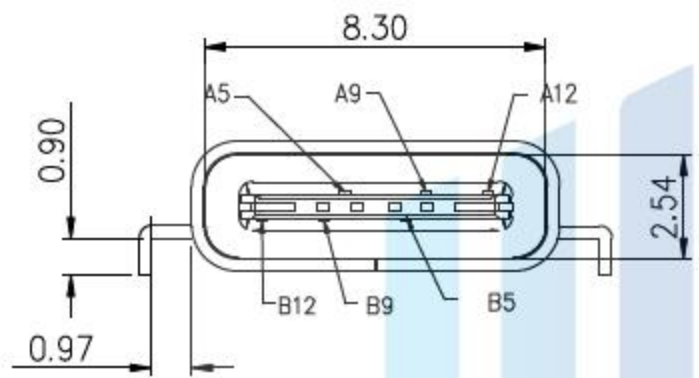
名称: TYPE-C 料号:

形号: 6PIN沉板0.8/1.2/1.6

共 张 , 第 张

备注:

**RoHS
COMPLIANT**



NOTES:

- 1.MATERIAL:
 - MOLDING: LCP UL94 V-0
 - CONTACT: COPPER ALLOY.
 - GOLD PLATED Min ON CONTACT AREA, 100u"
 - Min TIN (LEAD FREE) ON SOLDER AREA,
 - SHELL: SUS201-H, T=0.30±0.03mm
 - 50u" NICKEL PLATING OVER ALL.
- 2.MECHANICAL:
 - INSERTION: 5~20N.
 - EXTRACTION: 8~20N AFTER TEST.
 - DURABILITY: 5000 CYCLES
- 3.ELECTRICAL:
 - CURRENT: 3A FOR VBUS;
 - 1.25A FOR GND PIN.
 - 0.25A FOR OTHER.
 - VOLTAGE: 20 V MAX
 - WITHSTANDING VOLTAGE: 100V AC R.M.S.
 - CONTACT RESISTANCE: 40mΩ MAX.
 - INSULATION RESISTANCE: 100MΩ MIN.
- 4.ENVIRONMENTAL
 - TEMPERATURE RANGE -25°C ~ +85°C
5. 尺寸标注事项:
 - 图示有标示" "者为首样全检, 重点管控尺寸.
6. 产品符合RoHS标准.

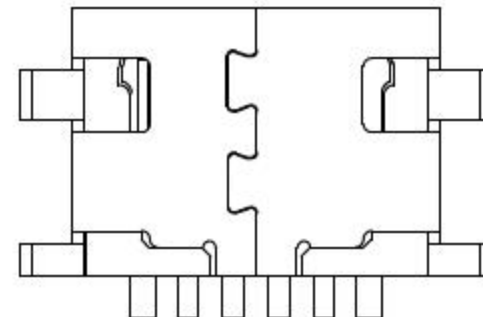
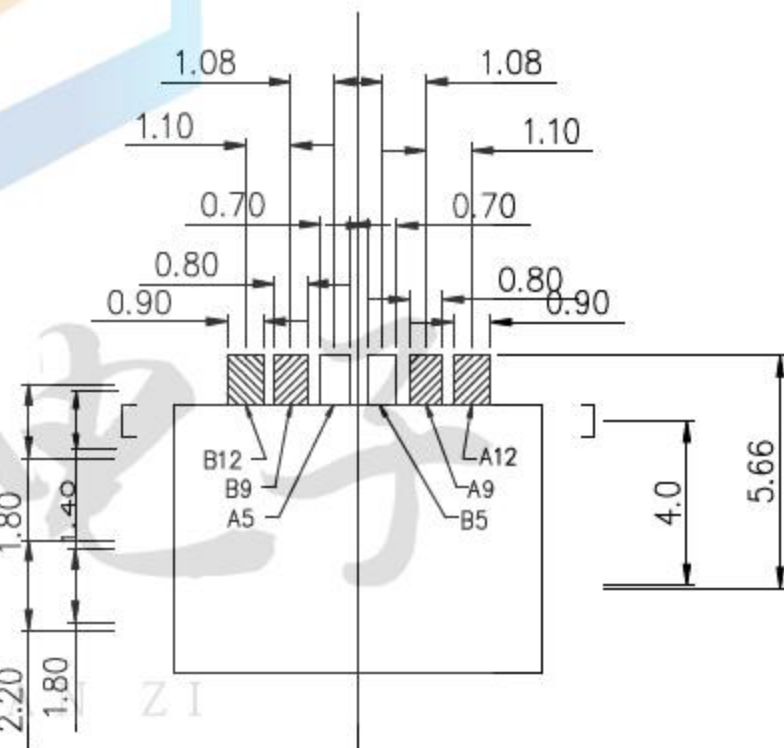
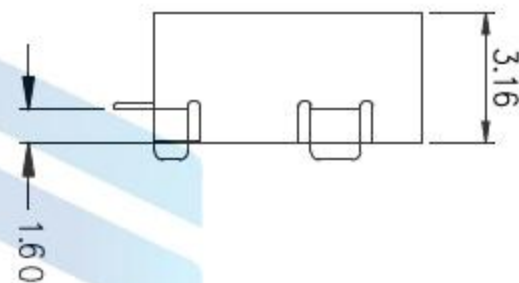
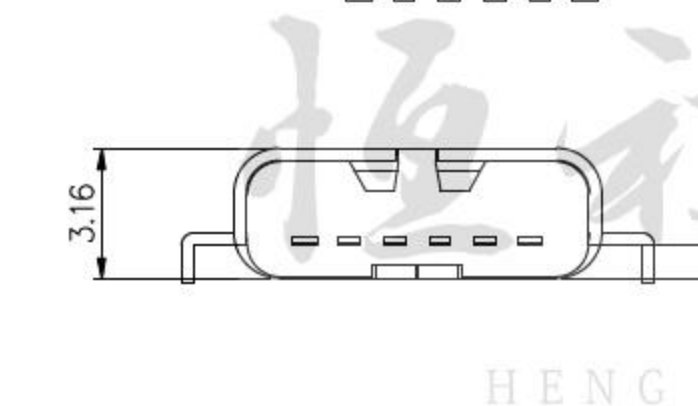
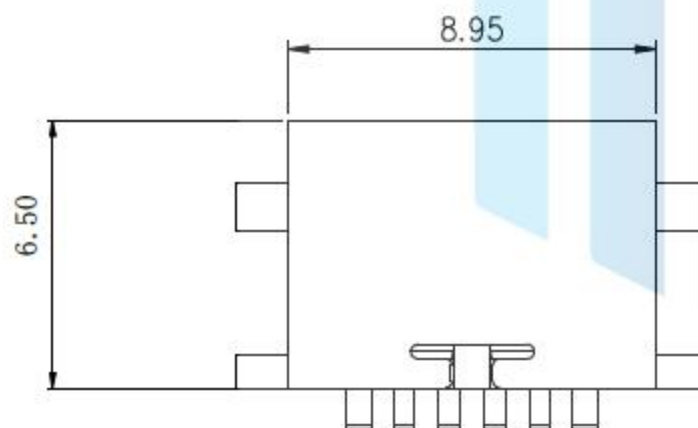
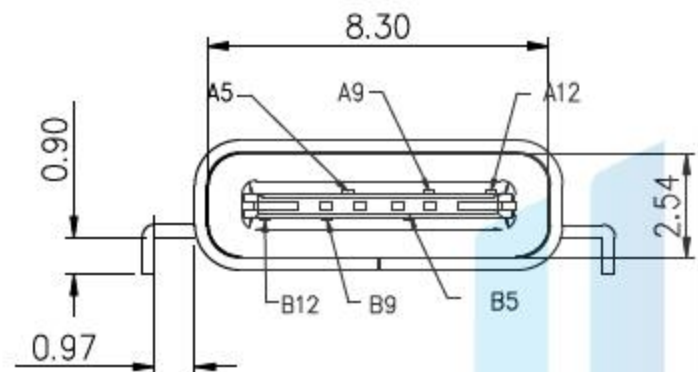
HENG QI DIAN

设计:	Arvin: 2016.03.08	范围 Range	公差 Tolerance
审核:	Arvin:	X.X ±	X.X ±0.30
校对:	Ru yi:	X.XX ±	X.XX ±0.20
比例:	视角关系:	X.XXX ±	X.XXX ±0.10
版次:	图框大小: A4	Angle ±	Angle ±5°

东莞市恒祺电子科技有限公司

名称: TYPE-C 料号:
 形号: 6PIN沉板0.8/1.2/1.6
 共 张 , 第 张 备注:

RoHS
COMPLIANT



NOTES:

1.MATERIAL:

MOLDING: LCP UL94 V-0
CONTACT: COPPER ALLOY.
GOLD PLATED Min ON CONTACT AREA, 100u"
Min TIN (LEAD FREE) ON SOLDER AREA,
SHELL: SUS201-H, T=0.30±0.03mm
50u" NICKEL PLATING OVER ALL.

2.MECHANICAL:

INSERTION: 5~20N.
EXTRACTION: 8~20N AFTER TEST.
DURABILITY: 5000 CYCLES

3.ELECTRICAL:

CURRENT: 3A FOR VBUS;
1.25A FOR GND PIN.
0.25A FOR OTHER.
VOLTAGE: 20 V MAX
WITHSTANDING VOLTAGE: 100V AC R.M.S.
CONTACT RESISTANCE: 40mΩ MAX.
INSULATION RESISTANCE: 100MΩ MIN.

4.ENVIRONMENTAL

TEMPERATURE RANGE -25°C ~ +85°C

5. 尺寸标注事项:

图示有标示" "者为首样全检, 重点管控尺寸.

6. 产品符合RoHS标准

设计:	Arvin: 2016.03.08	范围 Range	公差 Tolerance
审核:	Arvin:	X.X ±	X.X ±0.30
校对:	Ru yi:	X.XX ±	X.XX ±0.20
比例:	视角关系:	X.XXX ±	X.XXX ±0.10
版次:	图框大小: A4	Angle ±	Angle ±5°

东莞市恒祺电子科技有限公司

名称: TYPE-C 料号:
形号: 6PIN沉板0.8/1.2/1.6

共 张 , 第 张 备注: