

NOTE:

1.MATERIAL:

- 1.1 INSULATOR: LCP UL 94V-0
- 1.2 CONTACT: BRONZE(T=0.20mm)
- 1.3 SHELL: BRASS(T=0.30mm)

2.ELECTRICAL CHARACTERISTICS:

- 2.1 CONTACT RESISTANCE: 30mΩ MAXIMUM
- 2.2 CONTACT CURRENT RATING: 1.5A
- 2.3 DIELECTRIC WITHSTANDING VOLTAGE: 500 V R.M.S.
- 2.4 INSULATION RESISTANCE 1000 MEGOHMS MIN
- 2.5 OPERATING TEMPERATURE: -40°C ~ 85°C

3 MECHANICAL CHARACTERISTICS:

- 3.1 MATING FORCE: 3.57kg MAX
- 3.2 UNMATED FORCE: 1.02kg MIN
- 3.3 DURABILITY: MANDATORY: 5,000 CYCLES

4.PLATING

4.1 TERMINAL:

- 50u" MIN NICKEL ALL OVER
- 100u" MIN Tin ON SOLDER AREA
- (1~30)u" Au ON CONTACT AREA

4.2 SHELL: 100u" MIN. NICKEL ALL OVER

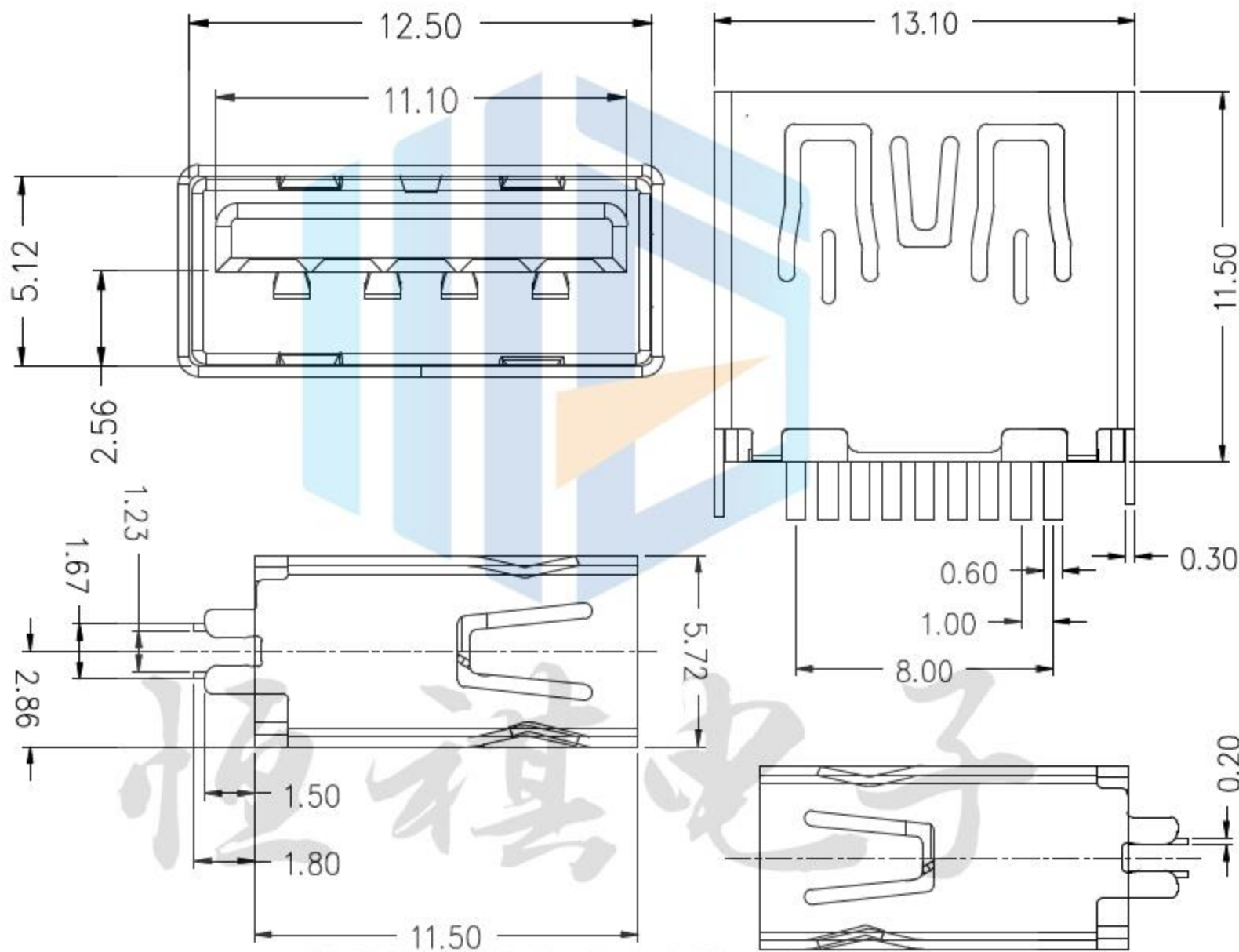
5." "▽OR MAJOR DIM

HENG QI DIAN ZI

设计:	Arvin: 2016.03.08	范围 Range	公差 Tolerance
审核:	Arvin:	X.X ±	X.X ±0.30
校对:	Ru yi:	X.XX ±	X.XX ±0.20
比例:	视角关系:	X.XXX ±	X.XXX ±0.10
版次:	图框大小: A4	Angle ±	Angle ±5°

东莞市恒祺电子科技有限公司

名称: USB插座 料号:
 型号: USB3.0 A/F180度夹板0.8直边
 共 张 , 第 张 备注:



NOTE:

1.MATERIAL:

- 1.1 INSULATOR: LCP UL 94V-0
- 1.2 CONTACT: BRONZE(T=0.20mm)
- 1.3 SHELL: BRASS(T=0.30mm)

2.ELECTRICAL CHARACTERISTICS;

- 2.1 CONTACT RESISTANCE: 30mΩ MAXIMUM
- 2.2 CONTACT CURRENT RATING: 1.5A
- 2.3 DIELECTRIC WITHSTANDING VOLTAGE: 500 V R.M.S.
- 2.4 INSULATION RESISTANCE 1000 MEGOHMS MIN
- 2.5 OPERATING TEMPERATURE: -40°C ~ 85°C

3 MECHANICAL CHARACTERISTICS:

- 3.1 MATING FORCE: 3.57kg MAX
- 3.2 UNMATED FORCE: 1.02kg MIN
- 3.3 DURABILITY: MANDATORY: 5,000 CYCLES

4.PLATING

4.1 TERMINAL:

- 50u" MIN NICKEL ALL OVER
- 100u" MIN Tin ON SOLDER AREA
- (1~30)u" Au ON CONTACT AREA

4.2 SHELL: 100u" MIN. NICKEL ALL OVER

5." ▼ FOR MAJOR DIM

HENG QI DIAN ZI

设计:	Arvin: 2016.03.08	范围 Range	公差 Tolerance
审核:	Arvin:	X.X ±	X.X ±0.30
校对:	Ru yi:	X.XX ±	X.XX ±0.20
比例:	视角关系:	X.XXX ±	X.XXX ±0.10
版次:	图框大小: A4	Angle ±	Angle ±5°

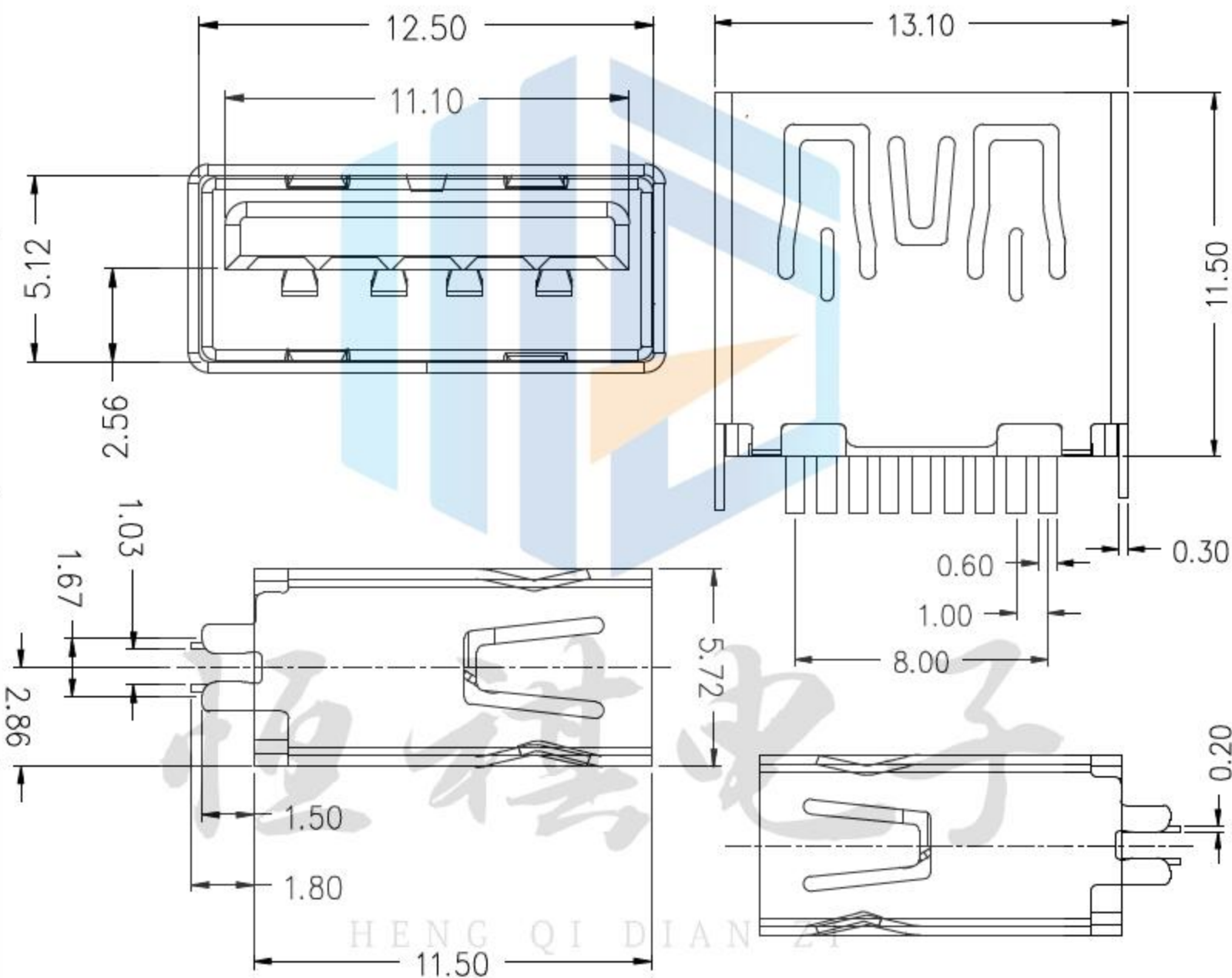
东莞市恒祺电子科技有限公司

名称: USB插座 料号:

型号: USB3.0 A/F180度夹板1.2直边

共 张 , 第 张

备注:



NOTE:

1.MATERIAL:

- 1.1 INSULATOR: LCP UL 94V-0
- 1.2 CONTACT: BRONZE(T=0.20mm)
- 1.3 SHELL: BRASS(T=0.30mm)

2.ELECTRICAL CHARACTERISTICS:

- 2.1 CONTACT RESISTANCE: 30mΩ MAXIMUM
- 2.2 CONTACT CURRENT RATING: 1.5A
- 2.3 DIELECTRIC WITHSTANDING VOLTAGE: 500 V R.M.S.
- 2.4 INSULATION RESISTANCE 1000 MEGOHMS MIN
- 2.5 OPERATING TEMPERATURE: -40°C ~ 85°C

3 MECHANICAL CHARACTERISTICS:

- 3.1 MATING FORCE: 3.57kg MAX
- 3.2 UNMATED FORCE: 1.02kg MIN
- 3.3 DURABILITY: MANDATORY: 5,000 CYCLES

4.PLATING

4.1 TERMINAL:

- 50u" MIN NICKEL ALL OVER
- 100u" MIN Tin ON SOLDER AREA
- (1~30)u" Au ON CONTACT AREA

4.2 SHELL: 100u" MIN. NICEL ALL OVER

5." ▼OR MAJOR DIM

设计:	Arvin: 2016.03.08	范围 Range	公差 Tolerance
审核:	Arvin:	X.X ±	X.X ±0.30
校对:	Ru yi:	X.XX ±	X.XX ±0.20
比例:	视角关系:	X.XXX ±	X.XXX ±0.10
版次:	图框大小: A4	Angle ±	Angle ±5°

东莞市恒祺电子科技有限公司

名称: USB插座 料号:

型号: USB3.0 A/F180度夹板1.0直边

共 张 , 第 张 备注: